

# XC-9201V

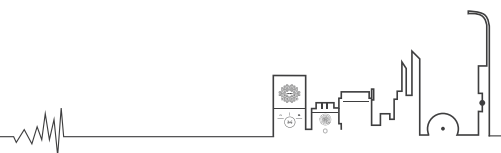
## IP VIDEO INTERCOM TERMINAL



## MAIN FUNCTIONS

### Basic functions

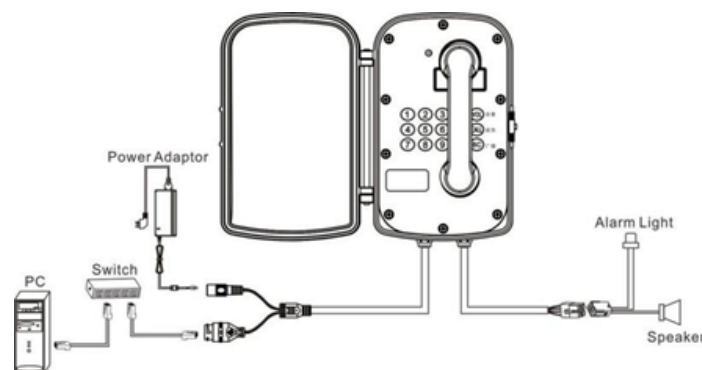
- Aluminum alloy casted shell with strong anti-riot property and automatic door-covering function
- Built-in HD、wide angle camera ,supprot video output of multiple resolution
- With numerical keys to make a random full-duplex intercom to any terminals
- With emergency call button ,can make a one-button call to the preset terminal
- Supportive of offline talking without server
- Support standard Onvif protocol, output video to third-party platform for display;
- Supportive of initiating and receiving broadcast function
- With one alarm output and one amplifier output interface ,can be connected with alarm light and speaker
- With standard RJ45 interface supportive of crossing network segment and router ,accessible to the system if the Ethernet is available
- Supportive of POE power supply.



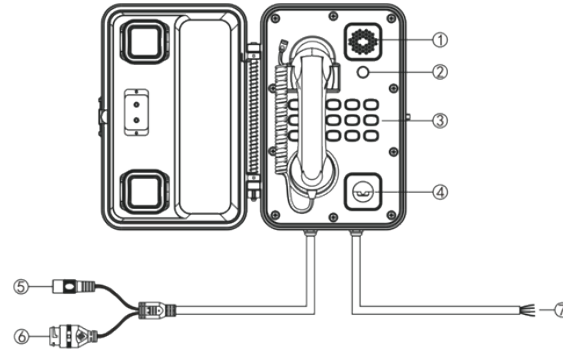
## SPECIFICATIONS

XC-9201V		
	Frequency Range	20Hz-16KHz
	Audio sampling & bit rate	8kHz~44.1kHz, 16bit
	Audio transmission bit rate	8kbps-320kbps
	SNR	>90dB
	Audio codec	PCM/ADPCM/WAV
<b>Video Parameters</b>	Video codec	H.264
	Video transmission bit rate	16bps-2Mbps
<b>Camera</b>	Type	CMOS
	Viewing Angle	95°
<b>Network Parameters</b>	Network Protocol	TCP/IP、UDP、ARP、ICMP、SIP、IGMP、ONVIF
	Network transmission rate	10M/100M adaptive
<b>Interface Parameters</b>	DC power	24V/2.7A
	Amplifier input interface	DC power: 30W/8Ω; POE power: 15W/8Ω
	Alarm output interface	12V/500mA(MAX)
	POE power	IEEE 802.3 af/at
<b>General Parameters</b>	Operating temperature	-20℃-60℃
	Operating humidity	≤90% (No condensation)
	Shell material	Metal
	Shell color	Yellow
	Installation	Wall-mounted
	Dimension	346*241*125 (mm)
	Weight	7.4Kg

## WIRING



# INTERFACE



①Speaker ②Camera ③Function button

Button	Function
"0-9" Number button	Used for input target ID when initiate intercom.
"#" , "*" Button	"Ok" button, "Cancel" button
"☎" Button	Hands-free call button
"CALL" Button	Emergency call button, press it to call the server mapping target ID directly.
"PA" Button	Initiate broadcast.

Note:

1. When picking up the handset, the digital zone light is normally on, and it is normally off when the handset is put down.

2. When offline, the hands-free, emergency call, and broadcast three function button lights flash slowly, and the lights are always on when the line is idle.

④Pickup mic

⑤Power input interface: 24V/2.7A power input.

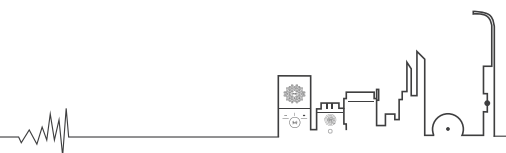
⑥Network interface: insert cable to connect with the switcher, so that the terminal can normally login to server.(The device supports power supply by POE, so it is needn't to connect with any power supply if the network interface has already connected POE switcher.)

⑦Six-core tail line, the relevant interface functions are as follows:

Black line, white line: alarm output port, connected to the police light. The white line is connected to the positive (+) and the black line is connected to the negative (-). (Alarm output voltage: 12V ± 5%, maximum current: 500mA).

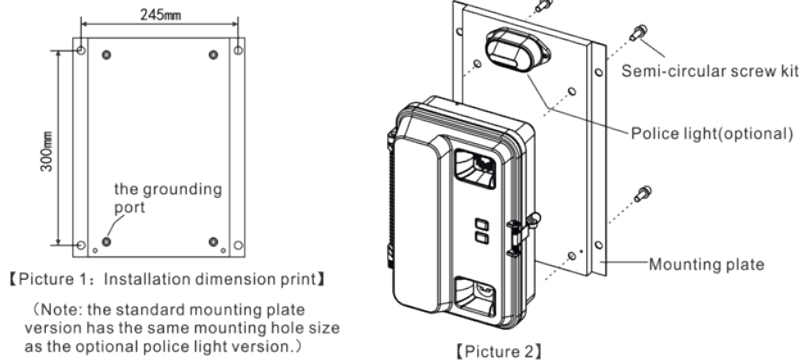
Brown line, yellow line: power amplifier output port, brown line is the speaker positive (+), yellow line is the speaker negative (-).

Green line and blue line: Firmware backup interface. Power on when shorted, the device will be restored to factory settings.



# INSTALLATION

Step 1: secure the main unit to the mounting plate using the semi-circular screw kit in the accessory. As shown in **【Picture 2】**

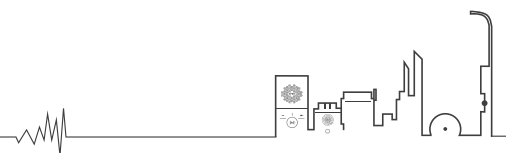
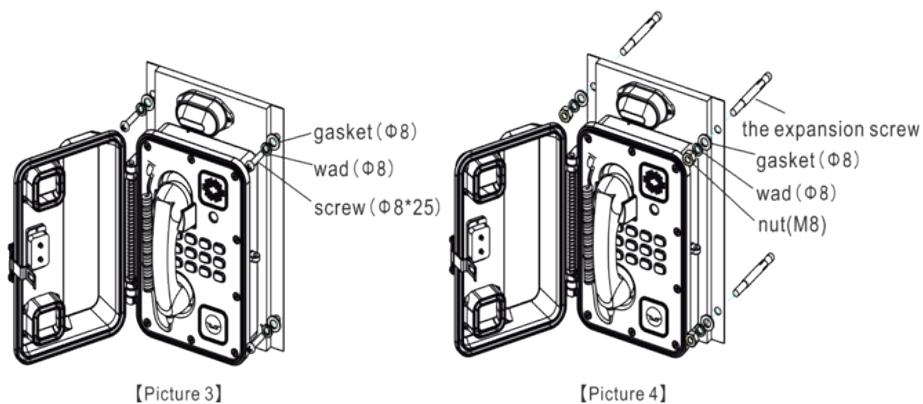


Note: Please pay attention to the grounding of the equipment during installation. The grounding wire can be connected to any screw on the mounting plate on the back of the device.

Step 2: It can be installed by different methods according to the actual situation of project.

Method 1: Make sure that there is a screw hole (M8) matching the main unit mounting plate at the device installation position. Secure the device in the installation location using the screw, spring washer and washer, as shown in **【Picture 3】**

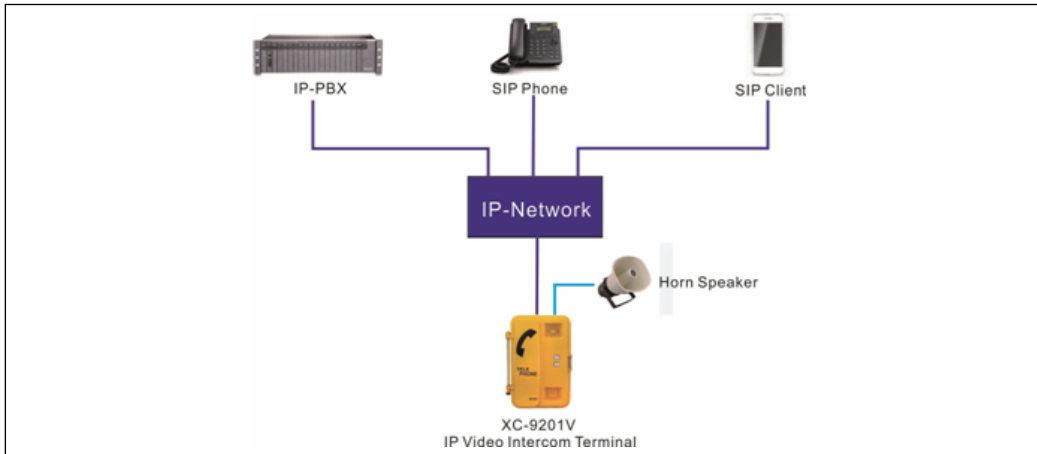
Method 2: In the installation position of the equipment, pre-drill the hole of the expansion sleeve (diameter 8mm, depth 65mm) according to the hole size of the mounting plate, knock the expansion screw into the wall of the installation position, and then fix the equipment with nuts and washers, as shown in **【Picture 4】**



# APPLICATION

## Application 1

IP Video Intercom Terminal XC-9201V compatible with standard SIP protocol , can independently access to the VOIP phone system and make a two-way intercom with sip phone or sip softphone ; It can be connected with external alarm light, which can be used to remind the warning lights when emergency call for help.



## Application 2

IP Video Intercom Terminal XC-9201V support ONVIF protocol ,It can be directly connected to NVR and other storage devices to achieve 24-hour simultaneous audio and video recording.

## Application 3

IP Video Intercom Terminal XC-9201V can connect with external horn speaker(8Ω) , it can receive the broadcast tasks from server and the sound output from the horn speaker ; Meanwhile , it supports one-button call with IP Paging Microphone.

